

### Technical information

#### Facts

Item #10196, 2x2 quad, 5 ft. kit tabletop  
 Size: 60" w x 60" h x 11.5" d  
 Weight: 11 lbs.

Item #10197, 2x3 quad, 5 ft. kit  
 Size: 60" w x 89" h x 11.5" d  
 Weight: 14 lbs.

Item #10194, 3x3 quad, 7.5 ft.  
 Size: 89" w X 89" h x 11.5" d  
 Weight: 20 lbs.

Item #10195, 4x3 quad, 10 ft.  
 Size: 118" w x 89" h x 11.5" d  
 Weight: 24 lbs.



Item #10197



Item #10196

### Mounting instruction

- 1 Grip the structure over the second row of hubs
- 2 Swing up the system
- 3 Lock all hubs, press all hubs together
- 4 Attach the ends with the velcro tape

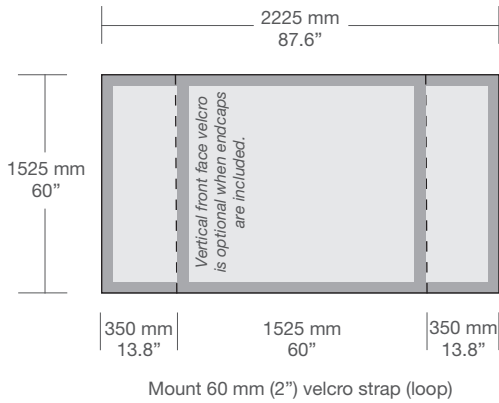
### Unmounting

- 1 Remove the ends with the velcro tape
- 2 Unlock all hubs and fold the system together

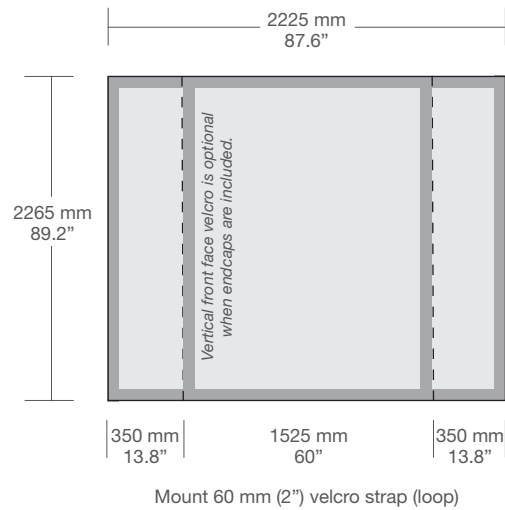
# Printed fabric production

## Size of printed fabric

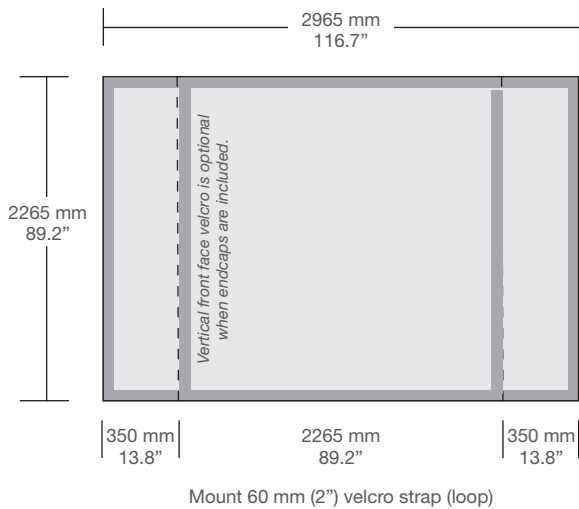
**2x2 - 10196**



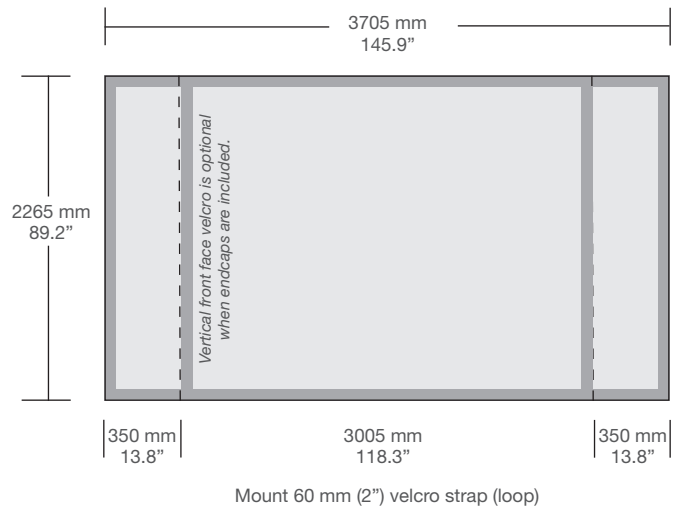
**2x3 - 10197**



**3x3 - 10194**



**4x3 - 10195**



### Sewing and Cutting Information – Printed Fabric

**Please observe:** All measurements given are for the **actual size of the system**. The size of the printed fabric depends on how much the fabric material stretches. We recommend that you reduce the size of the fabric with 2% to allow for the stretch effect of the material. However, please always test your chosen material before printing.

### Mounting of Velcro strap

Velcro strap (loop) to be sewn along each side of the graphic panels (dark gray).